



High Profile with
Optional Guarding

POWER SERIES Automatic Stretch Wrapper



Low Profile Wrap-N-Weigh



Low Profile

FEATURES & OPTIONS

Machine Features

- Heavy-duty, welded-steel construction (no plastic panels) designed for long life
- Variable turntable speed using 1/2 hp, 90 Vdc motor with ANSI 60 chain drive system
- Up to 12 RPM rotating table can deliver 25–40 loads per hour
- Photo eye for automatic load height sensing
- Adjustable top and bottom illuminated LED wrap counters
- Cycle pause feature
- Top film overwrap control feature (TOC)
- Electronic film tension adjustment control on control panel
- Independent up and down film carriage controls with jog up/down switch
- Manual jog control for turntable
- Two available wrap patterns
- Dual chain film carriage lift
- Eco-friendly, durable powder coating
- Remote lanyard for startup
- Magnetic proximity switches

Controls Hardware

- Allen-Bradley® power, control, and safety components
- Allen-Bradley® MicroLogix™ PLC
- UL/CSA approved components



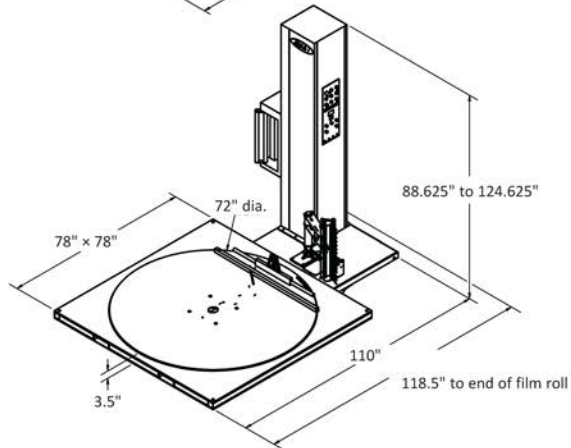
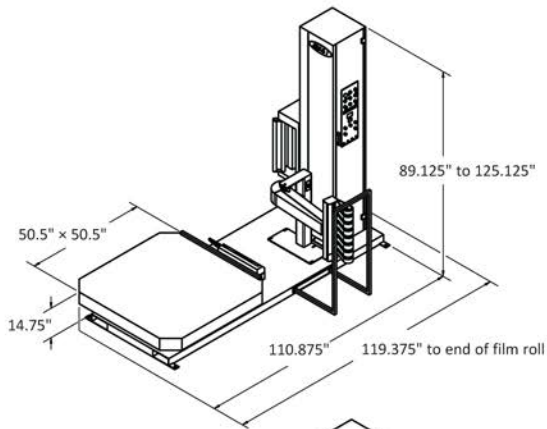
Film Delivery System

- EZ-Load® film pre-stretch dispenser for 20" film rolls
- Dual anti-static film rollers with manufacturer's lifetime warranty
- Film pre-stretch capability from 150 to 300% stretch (200% standard)
- 1/2 hp, 90 Vdc motor with dual ANSI 40 chain lift drive
- Dancer bar variable-corner compensation
- Electronic film tension adjustment control
- Self compensating wipe arm accommodating up to 2" of load edge misalignment.
- Film clamp manual override button

Options

- A variety of access ramps to assist loading of pallet
- AFTD automatic film tear device tears film at the end of the wrapping cycle
- Extended film towers for wrapping taller loads exceeding standard machine capability
- Cold and freezer packages available
- Adjustable manual roping guide
- Pneumatic roping device for extra support of load
- 30" film delivery system
- Other NEMA rated control enclosures available
- Top platen device to stabilize tall or light unstable loads during rotation

Note: Final Layout May Vary



Specification	Measurement
Turntable Size – Low Profile	72" Diameter (standard) Contact factory for larger sizes
Turntable Size – High Profile	50" Square (standard)
Max. Load Diagonal Clearance	75" (standard turntable)
Max. Load Weight Capacity	4,000 lb. (standard)
Turntable Rotation Speed	Up to 12 RPM
Variable Carriage Speed	Up to 21 FPM
Loads wrapped per hour	25 to 40
Max Load Height – Low Profile: - Standard Tower - Optional extensions available (12, 24, and 36")	80" max load height 92", 104", and 116" option
Max Load Height – High Profile: - Standard Tower - Optional extensions available (12, 24, and 36")	70" max load height 82", 94", and 106" option
Electrical power requirements	120 VAC, 1 Ph, 60 Hz, 10 A, 80 psi, 3 SCFM



Clamp, Cut and Wipe Down System



Optional Automatic Roping Feature



Optional Remote Lanyard

Legacy Packaging

333 City Blvd W 17th Floor, Orange, CA 92868

(877) 235-5993

support@legacypkg.com

www.legacypkg.com