

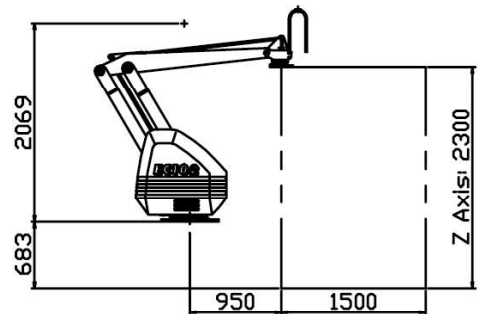
EC-102

ROBOTIC PALLETIZER

The **EC-102** model is one of our most energy-efficient robotic palletizers, as it uses only 3.5 KVA. Given the cycle rate-to-power ratio, it provides the most cost-effective, technically capable solution for moderate production throughput lines.



EC-102 Operating Range



Specifications Summary of 102 Model		
Load Capacity (Including End Effector)		160kg (350 lbs.)
Speed Capacity (cycles/hour)		1200
Degree of Freedom		4-axis (5th optional on End Effector)
Operating Area	Z axis (vertical)	2300mm (90.50")
	R axis (longitudinal)	1500mm (59.00")
	Theta axis (rotation)	330°
	Alpha axis (wrist)	330°
Memory		120 to 400 Programming Locations Available
Power Requirements		200 / 220V, 3-phase, 50 / 60 Hz
Power Consumption (Without Peripheral Equipment Load)		3.5 Kva
Robot Weight (without End Effector)		700kg (1544 lbs.)
Pneumatic Consumption (*Using Standard Fuji Case or Bag End Effector)		*5.7 SCFM@70psi (0.5MPa)
<p>Note: Specifications are subject to change without notice. Capacities as stated above are the maximum that may be achieved by the robot under ideal conditions. Capacity rates can be significantly affected by layouts, product types, and can be confirmed after a detailed analysis of an application. *Pneumatic consumption may vary with use a third-party End Effector.</p>		

