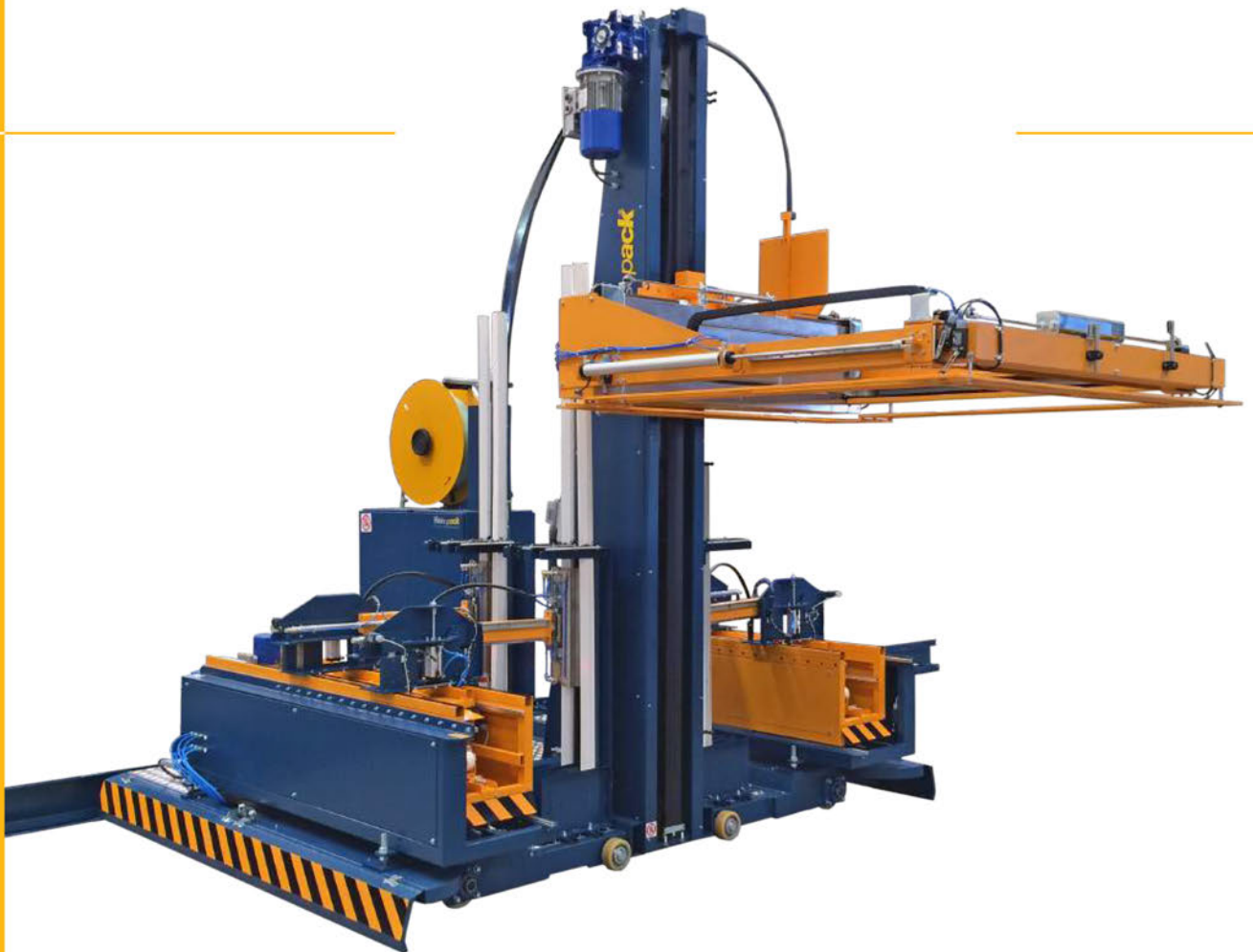


Reisopack®

Strapping technologies

**Maximum performance
in pallet strapping**



Strapping machine
Horizontal Automatic for pallets

2915



877-235- 5993



www.legacypkg.com



support@legacypkg.com

Strapping machine Horizontal Automatic for pallets

Automatic horizontal strapping machine with lateral movement. Upgrade the productivity of your business!

- Own manufacturing and technology using highest quality components.
- Compression system in the arch compacts load and guides the strap to the correct position.
- Mechanical tension adjustable through a high tension clamp system.
- Aluminium strapping head Reisopack 1900 long life.
- Production higher than 60 pallet per hour.
- Security system with engine direction reverse.
- Visual signaling of errors.
- Touchscreen control panel TFT LCD of 5'6 inches.
- Able to store up to 10 different strapping programs.
- Automatic corners placer system with pallet size detection.
- Double corners deposit.

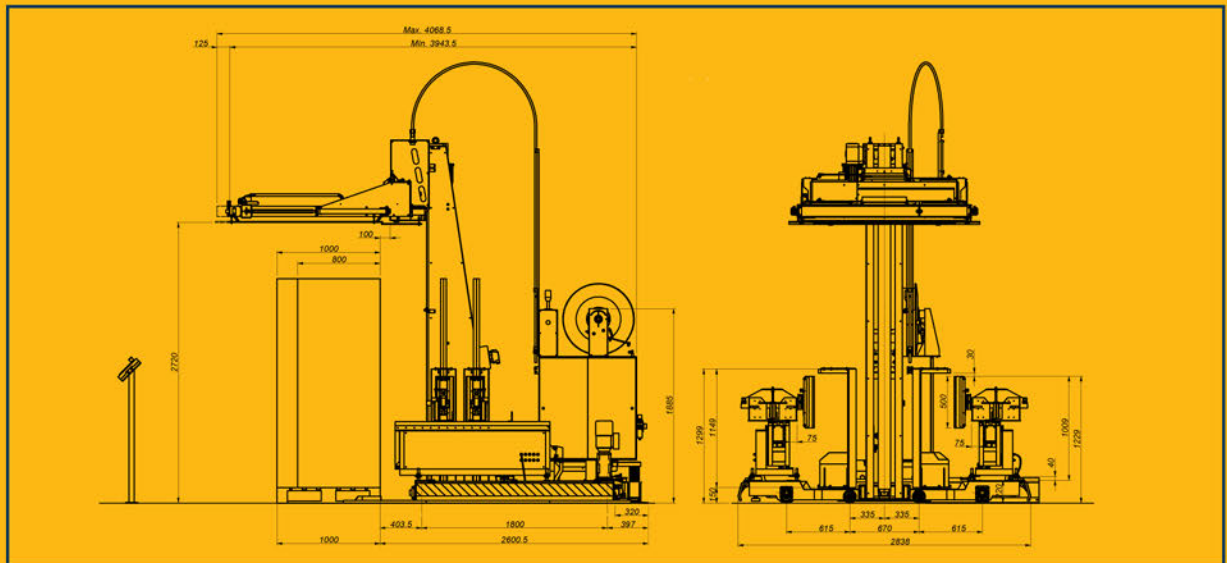
OPTIONS:

- Electronic tension.
- Strap empty alarm.
- CRC technology for perfect placement of corners.
- Fifth corners arm.
- Additional station.
- Digital button post.
- High speed version.

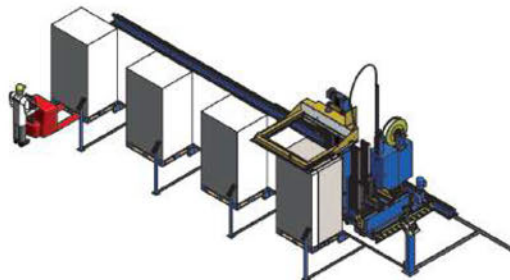
It allows you to select between the different stored strapping programs just pressing a button.



Strapping machine Horizontal Automatic for pallets



The machine moves laterally between the different stations.



CHARACTERISTICS

VOLTAGE: 220 V / 380 V · 50 / 60 Hz · 3 Phase & Neutral

ELECT. CONSUMPTION: 2 Kw. **APROX. PRODUCTION:** 60 pallets / hour.

COMPRESSED AIR PRESSURE: 6 atm.

MACHINE DIMENSIONS: 2902 X 4180 X 4550 mm.

STRAPPING RANGE: From 130 mm to 2650 mm.

TECHNICAL SPECIFICATIONS

STRAP WIDTH: 8-12-15'5 mm. (Factory set).

STRAP THICKNESS: 0,63-0,85 mm.

HEATING SYSTEM: Electrical heating.

Heating temperature and cooling time adjustable.

STRAPPING TENSION: From 1 Kg to 150 Kg.

01/19 Edition - We reserve the right to made any modification without prevention

